

Receiver
From

 Society
 Reference
 Address
 Phone
 Fax
 E-mail

Item n° :

102640020

Model :

JETINOX 82 M

Pump data

 Pressure rating : 8 bar (800 kPa)
 Min. fluid temperature : 0 °C
 Max. fluid temperature : 35 °C
 Max. Ambient temperature : 40 °C

Priming capacity :

H m	2	3	4	5	6	7	8	9
Q m³/h	3,06	2,76	2,46	2,28	1,92	1,74	1,32	1,02

Requested data

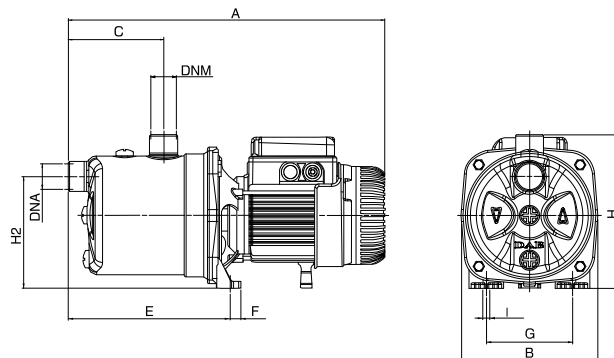
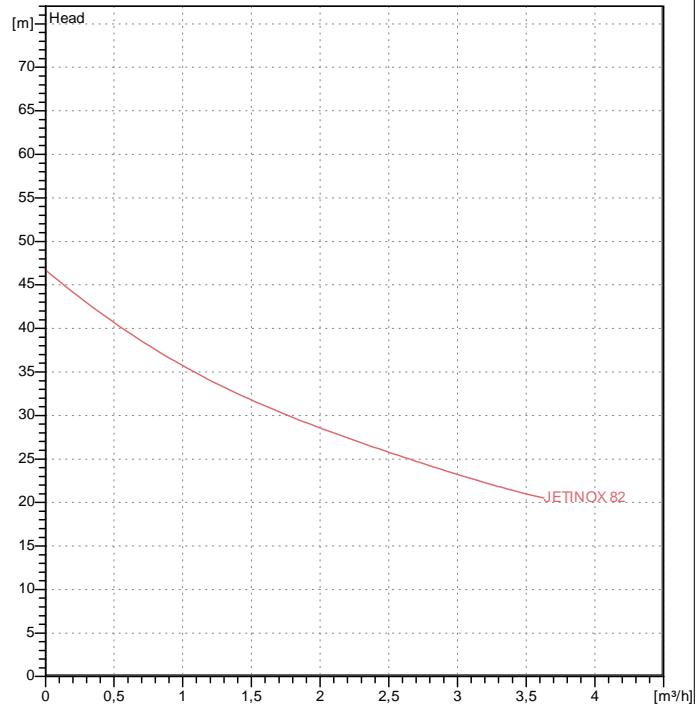
 Flow : 0,00 m³/h
 Head : 0,00 m
 Fluid : Water
 Fluid Temperature : 20 °C
 Density : 0,99819 kg/dm³
 Kinematic viscosity : 1,0004 mm²/s
 Vapor pressure : 2,20 kPa

Hydraulic data (duty point)

 Flow :
 Head :

Materials

 Pump body : AISI 304 X5 Cr Ni 1810 UNI 6900/71
 Disc seal : AISI 304 X5 Cr Ni 1810 UNI 6900/71
 Impeller : Technopolymer A
 Mechanical seal : Carbon/Ceramic
 OR ring : NBR Rubber
 Shaft with rotor : AISI 416 X12 CrS 13 UNI 6900/71
 Nozzle venturi diffuser assembly : Technopolymer A

Curve tolerance according to ISO 9906

Motor data

 Motor brand : DAB
 Nominal power P2 : 0,6 kW
 Rated speed : 2750 1/min
 Rated voltage : 1~ 220-240 V 50 Hz
 Nominal current : 3,8 A
 Degree of protection : IP 44

Dimensions in
mm

A	406	DNM	1"G	H	197		
B	174	E	207	H2	144		
C	122	F	14	I Ø	9		
DNA	1"G	G	111				

Weight : 8,25 kg

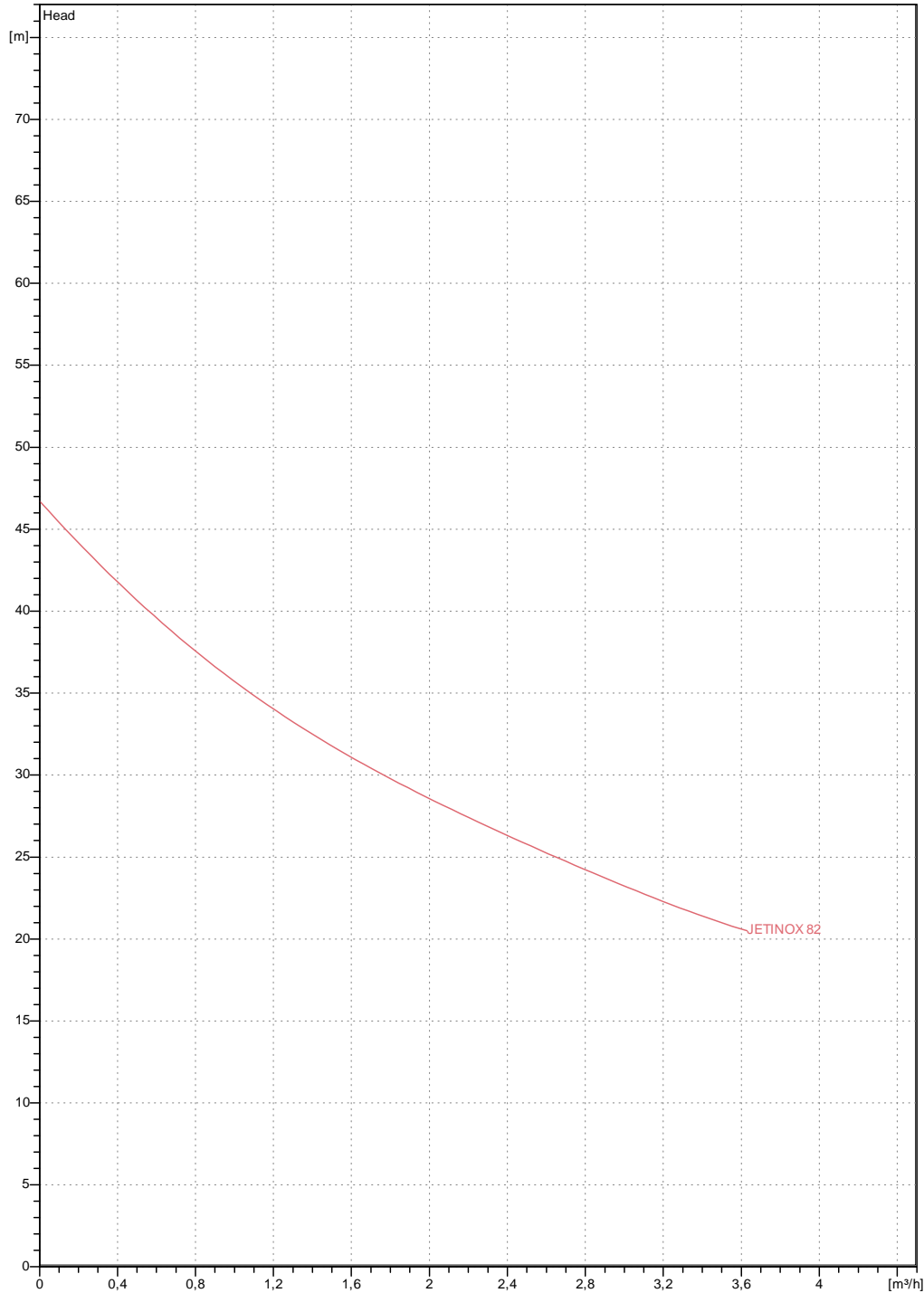
Pump connection

 Suction side : 1 " G / 8 bar (800 kPa)
 Discharge side : 1 " G / 8 bar (800 kPa)

Society Reference Address Phone Fax E-mail	Receiver	From

JETINOX 82 M

Curve tolerance according to ISO 9906



Hydraulic data (duty point)

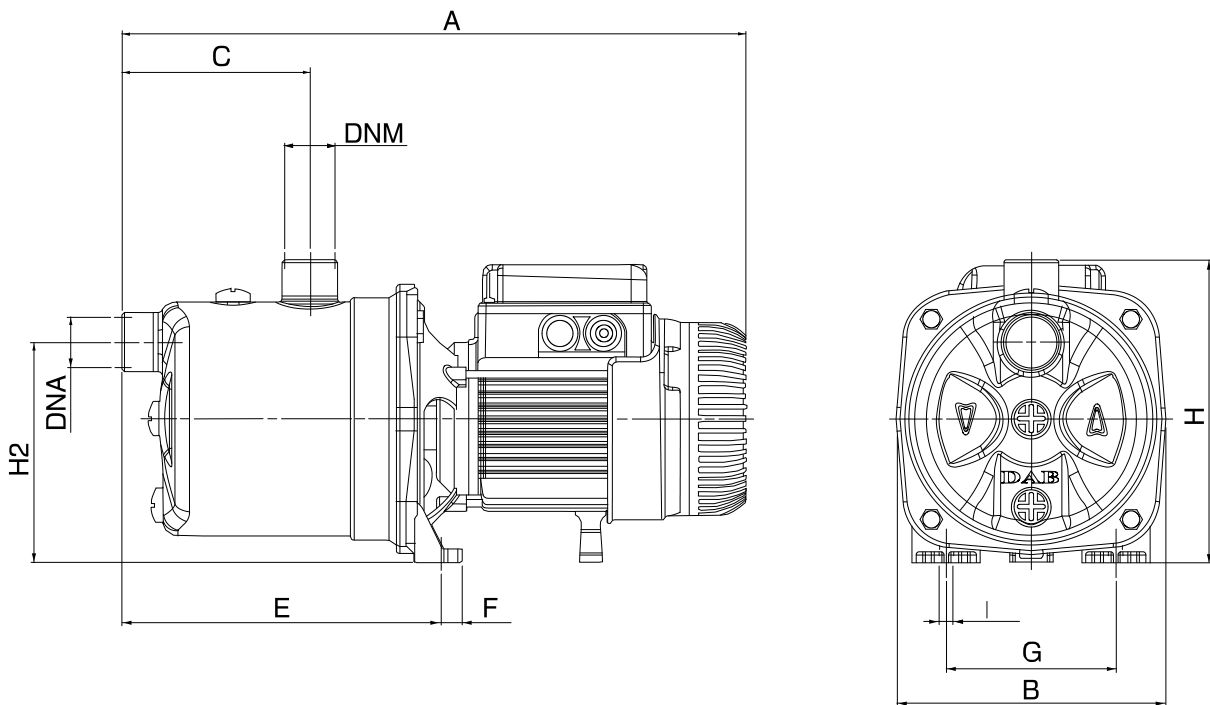
Suction side : 1 " G 8 bar (800 kPa)	Discharge side : 1 " G 8 bar (800 kPa)	Flow : 0 m³/h	Head : 0 m	Rated speed : 2750 1/min
Project	Project ID	Created by	Created on 2017-07-04	

Receiver

From

Society
 Reference
 Address
 Phone
 Fax
 E-mail

JETINOX 82 M


Dimensions in mm

1	A	406	∅	9		
2	B	174				
3	C	122				
4	DNA	1"G				
5	DNM	1"G				
6	E	207				
7	F	14				
8	G	111				
9	H	197				
10	H2	144				

Pump connection

Suction
 1 " G
 8 bar (800 kPa)

Discharge
 1 " G
 8 bar (800 kPa)

Project

Project ID

Created by

Created on

2017-07-04